

### Features

- Low height of only 5.0 mm
- Inductance as low as 0.9  $\mu\text{H}$
- High current up to 20 amps
- RoHS compliant\*

### Applications

- Input/output of DC/DC converters
- Power supplies for:
  - Portable communication equipment
  - Camcorders
  - LCD TVs
  - Car radios

## SRR1305 Series - SMD Shielded Power Inductors

### Electrical Specifications

Bourns Part No.	Inductance 100 kHz			SRF Min. (MHz)	RDC (m $\Omega$ )	I rms (L1) Max. (A)	I sat Typ. (A)
	L0 ( $\mu\text{H}$ )	L1 ( $\mu\text{H}$ )	Tol. %				
SRR1305-R90ZL	0.9	0.75	$\pm 25$	95	2.5	20.0	22.0
SRR1305-1R4ZL	1.4	1.25	$\pm 25$	70	3.4	16.0	18.0
SRR1305-2R0ZL	2.0	1.80	$\pm 25$	60	4.6	13.0	15.0
SRR1305-2R7ZL	2.7	2.50	$\pm 25$	50	9.5	6.0	10.0

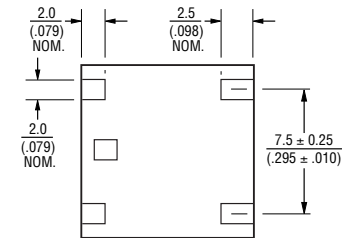
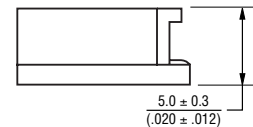
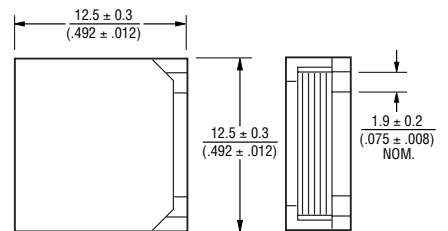
### General Specifications

Test Voltage.....0.1 V  
 Reflow Soldering ...230 °C, 50 sec. max.  
 Operating Temperature -40 °C to +125 °C  
 (Temperature rise included)  
 Storage Temperature...-40 °C to +125 °C  
 Resistance to Soldering Heat  
 .....260 °C for 5 sec.

### Materials

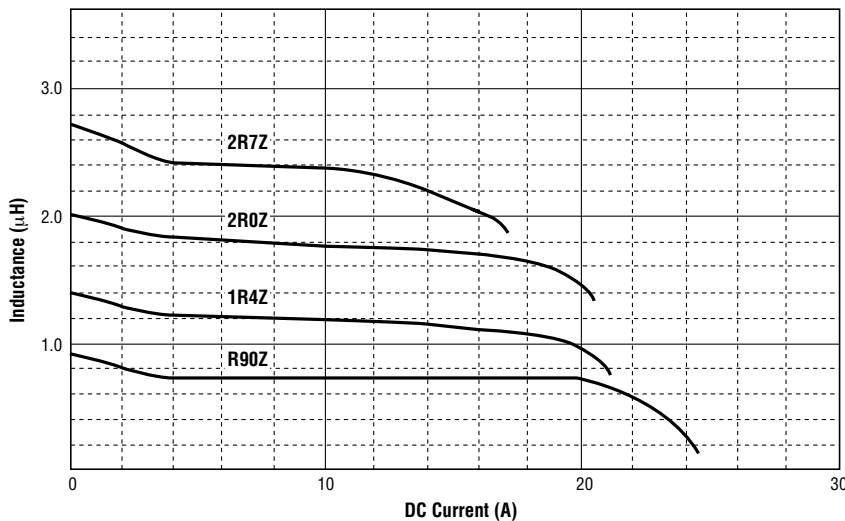
Core .....Ferrite ER and SB  
 Wire .....Ultra-fine rectangular enameled copper  
 Terminal .....Cu/Sn  
 Adhesive .....Epoxy resin  
 Rated Current  
 .....Ind. drop 20 % max. at (L1) Isat  
 Temperature Rise  
 .....45 °C max. at rated I rms  
 Packaging.....600 pcs. per reel

### Product Dimensions

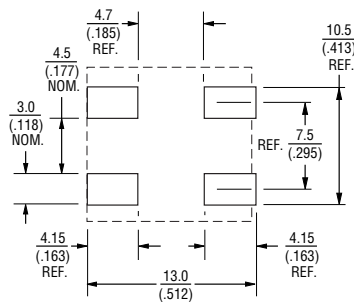


DIMENSIONS:  $\frac{\text{MM}}{\text{(INCHES)}}$

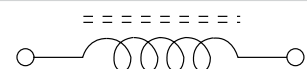
### Inductance vs. DC Superposition Characteristics



### Recommended Layout



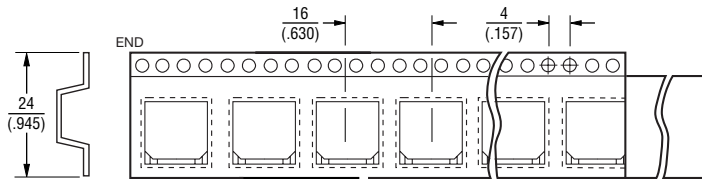
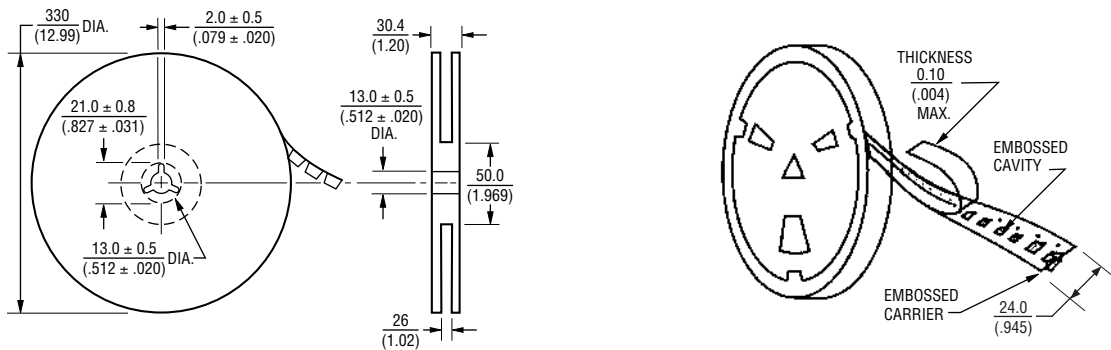
### Electrical Schematic



# SRR1305 Series - SMD Shielded Power Inductors

**BOURNS®**

## Packaging Specifications



QTY: 600 PCS. PER REEL

DIMENSIONS:  $\frac{\text{MM}}{\text{(INCHES)}}$